

# RBJ400

## Imperial Spherical Bearings, Split construction, Ground track

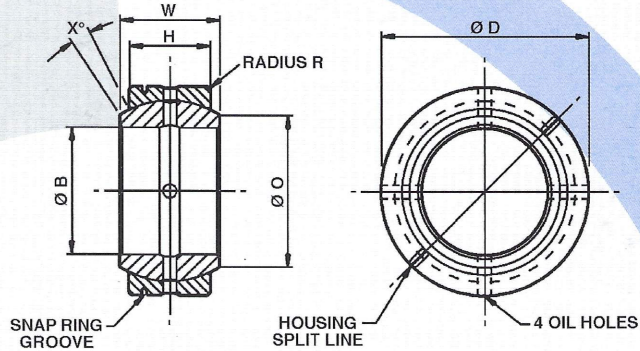


### Outer race

1% carbon chromium steel  
Heat treated  
Phosphated all over

### Ball

1% carbon chromium steel  
Heat treated  
Phosphated all over



Rose part no	B	D	W	H	O	R	X	Diametral clearance	Max static radial load	Max static axial load	Weight
	Bore dia	Race dia	Ball width	Race width	Ball face dia	Race Radius	Angle				
RBJ	+0.000 -0.004	+0.000 -0.005	+0.000 -0.005	+0.000 -0.005			deg	max	lbf	lbf	lb
408	.5000	.8750	.437	.375	.567	.022	6	.0030	13600	4480	.044
410	.6250	1.0625	.547	.469	.712	.032	6	.0030	22000	7770	.079
412	.7500	1.2500	.656	.562	.850	.032	6	.0030	33600	12000	.126
	+0.000 -0.005	+0.000 -0.005	+0.000 -0.005	+0.000 -0.005							
414	.8750	1.4375	.765	.656	.995	.032	6	.0035	46800	16500	.193
416	1.0000	1.6250	.875	.750	1.140	.032	6	.0035	56000	26900	.276
420	1.2500	2.0000	1.093	.937	1.420	.032	6	.0035	91600	44200	.516
	+0.000 -0.005	+0.000 -0.006	+0.000 -0.005	+0.000 -0.005							
424	1.5000	2.4375	1.312	1.125	1.710	.032	6	.0040	138000	54400	.834
428	1.7500	2.8125	1.531	1.312	1.995	.032	6	.0040	175000	81500	1.430
432	2.0000	3.1875	1.750	1.500	2.270	.032	6	.0040	235000	111000	2.070
	+0.000 -0.006	+0.000 -0.008	+0.000 -0.005	+0.000 -0.005							
436	2.2500	3.5625	1.969	1.687	2.566	.032	6	.0050	304000	140000	2.920
440	2.5000	3.9375	2.187	1.875	2.847	.032	6	.0050	382000	170000	4.090
444	2.7500	4.3750	2.406	2.062	3.132	.032	6	.0050	472000	185000	5.380
448	3.0000	4.7500	2.625	2.250	3.422	.032	6	.0050	565000	247000	6.870
	+0.000 -0.008	+0.000 -0.010	+0.000 -0.005	+0.000 -0.005							
456	3.5000	5.5000	3.062	2.625	4.001	.032	6	.0060	784000	341000	10.650
464	4.0000	6.2500	3.500	3.000	4.562	.044	6	.0060	1035000	440000	15.590
472	4.5000	7.0000	3.937	3.375	5.140	.044	6	.0060	1325000	564000	21.920
	+0.000 -0.010	+0.000 -0.012	+0.000 -0.005	+0.000 -0.005							
480	5.0000	7.7500	4.375	3.750	5.706	.044	6	.0060	1645000	700000	29.790
496	6.0000	8.7500	4.750	4.125	6.631	.044	6	.0080	2095000	845000	38.760
	+0.000 -0.015	+0.000 -0.020	+0.000 -0.005	+0.000 -0.005							
4112	7.0000	10.7500	6.125	5.250	8.012	.062	6	.0080	3100000	1370000	78.800
4128	8.0000	12.2500	7.000	6.000	9.127	.062	6	.0080	4230000	1760000	119.400

Dimensions in inches

For other sizes and options please contact Rose Bearings.

Please consult Rose Bearings for availability of bearings in this series.

Rose Bearings operates a policy of continual improvement, and therefore reserves the right to revise specifications without notice.

**Rose Bearings Ltd - Doddington Road, Lincoln LN6 3RA UK TEL: 01522 500933 FAX: 01522 696485**